

11- AIR COOLED A/C, REFRIGERANT CONNECTIONS FOR OUTDOOR CONDENSER (SEE TABLE)

CHECK BOX

12- WATER COOLED A/C, FOR CONNECTIONS (SEE TABLE)

CHECK BOX

PIPE CONNECTIONS

OPTION	BOTTOM	(FACING S/A)	
		LEFT	RIGHT
DRAIN		√	
POOL WATER			
SECOND POOL WATER			
AIR COOLED A/C			
WATER COOLED A/C			
HEATING COIL			



NO. DESSIN: DSV-M-000-004 AE REV: 8  
DWG. NO. TITLE:

MODEL DSV/DV5  
-010 TO -080

NOTES: ALL DIMENSIONS ARE IN INCHES.

13- OPTIONAL OUTDOOR AIR NONE (COVERED)

14- OPTIONAL HORIZONTAL AIR DISCHARGE (FACING LEFT HAND SIDE)

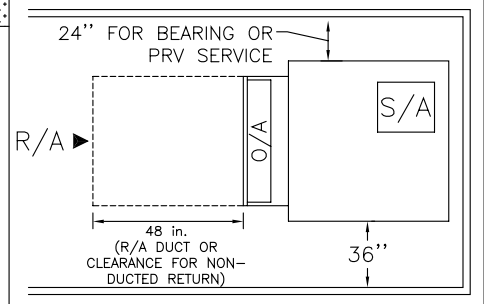
CHECK BOX

13A MODELS -010 TO -030  
MANUAL  
MOTORIZED

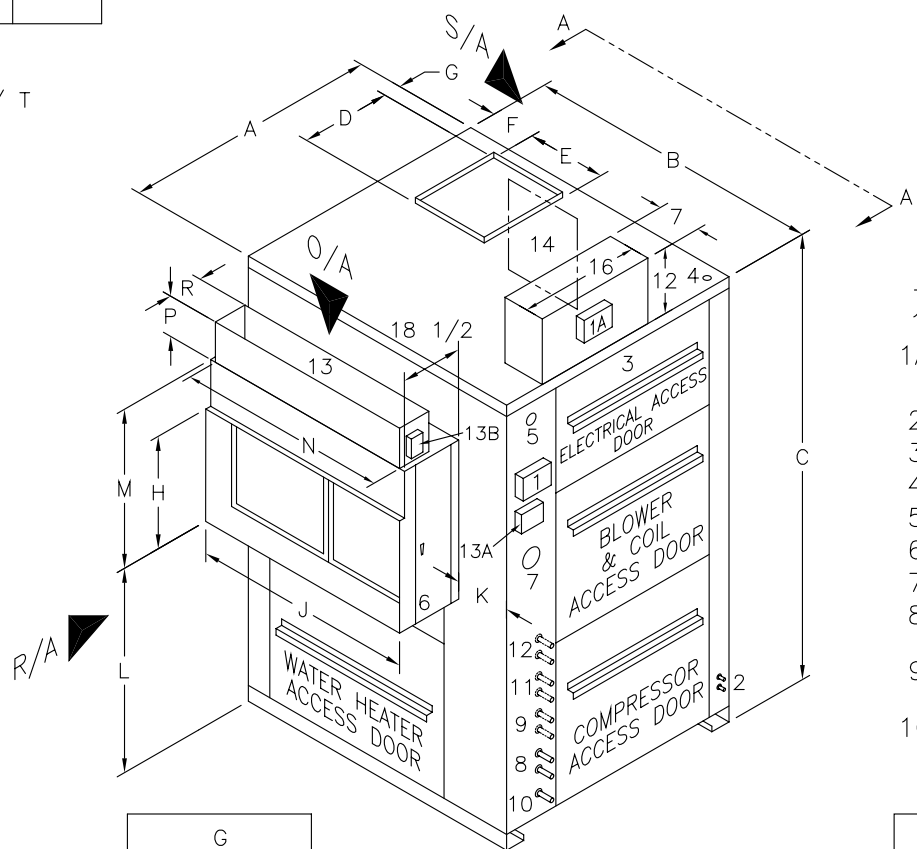
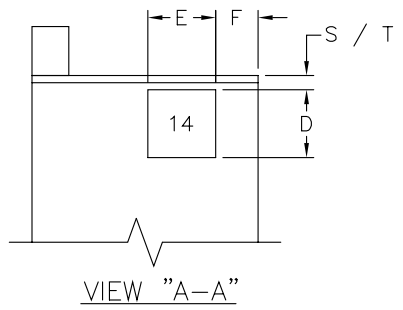
HORIZONTAL C.W.  
C.C.W.

13B MODELS -040 TO -080  
MANUAL  
MOTORIZED

TOP (STD) C.W.  
C.C.W. (STD)



SERVICE ACCESS TOP VIEW



LEGEND

- 1 - OPERATOR PANEL
- 1A - MODELS 042, 062 AND UNITS WITH SUPERVAISIRE MICROPROCESSOR OPTION
- 2 - ACCESS VALVES
- 3 - ELECTRICAL SECTION COVER
- 4 - ELECTRICAL CONNECTION (POWER)
- 5 - COMPRESSOR RUNNING LIGHT
- 6 - FILTER ACCESS DOOR
- 7 - LIQUID & MOISTURE INDICATOR
- 8 - POOL WATER CONNECTIONS (DSV ONLY SEE TABLE)
- 9 - SECOND POOL WATER CONNECTIONS (DSV ONLY 3/4" I.D.)
- 10 - 1 1/2 in. I.D. CONDENSATE DRAIN CONNECTION WITH INTERNAL P-TRAP

OPTIONAL

√	MODEL	G										OPTIONAL											
		A	B	C	D	E	F	C.C.W. (STD)	C.W.	H	J	K	L	M	N	P	R	I.D.	HOT GAS (O.D.)	LIQUID (O.D.)	MPT	S (CW)	T (CCW)
	-010	30	30	65	11 1/2	6 7/8	5	2 1/4	8 1/4	20	19	8 3/4	20 1/2	33 1/2	17	1	6 3/8	3/4	5/8	1/2	3/4	1 1/2	6 1/2
	-015	30	30	65	11 1/2	6 7/8	5	2 1/4	8 1/4	20	19	8 3/4	20 1/2	33 1/2	17	1	6 3/8	3/4	5/8 / 7/8	1/2	3/4	1 1/2	6 1/2
	-020	30	36	65	11 1/2	10 1/2	7	1 3/4	7 3/4	20	31	3	21 1/2	33 1/2	29	1	6 3/8	3/4	7/8	5/8	1	1 1/2	6 1/2
	-030	30	43	65	13 1/2	12 1/4	8	1 1/2	8	20	39	2	23	33 1/2	35	1	6 3/8	3/4	7/8 / 1 1/8	5/8	1 1/4	1 1/2	7 1/2
	-040	30	52	79	13 1/2	12 1/4	8	1 1/2	8	32	39	2 1/2	32	32	35	5	5	3/4	1 1/8	7/8	1 1/4	1 1/2	7 1/2
	-042	36	52	79	13 1/2	12 1/4	8	1 1/2	8	32	39	2 1/2	32	32	35	5	5	1 1/4	2 x 7/8	2 x 5/8	1 1/4	1 1/2	7 1/2
	-050	41	70	79	11 1/2	34 1/2	8	3	8 1/2	40	59	3 1/2	28	40	57	5	5	1 1/4	1 1/8	7/8	1 1/4	1 1/2	6 1/2
	-060	41	70	79	11 1/2	34 1/2	8	3	8 1/2	40	59	3 1/2	28	40	57	5	5	1 1/4	1 1/8 / 1 3/8	7/8	1 1/2	1 1/2	6 1/2
	-062	46	70	79	11 1/2	34 1/2	8	3	8 1/2	40	59	9 1/2	34 1/2	40	57	5	5	1 1/4	2x7/8 / 2x1 1/8	2 x 5/8	1 1/2	1 1/2	7 1/4
	-080	46	70	79	11 1/2	34 1/2	8	3	8 1/2	40	64	9 1/2	32	40	57	5	5	1 1/4	1 3/8	1 1/8	1 1/2	1 1/2	7 1/4

75/100 MAX. LINE LENGTH (FEET)