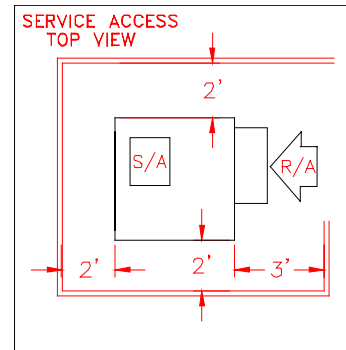
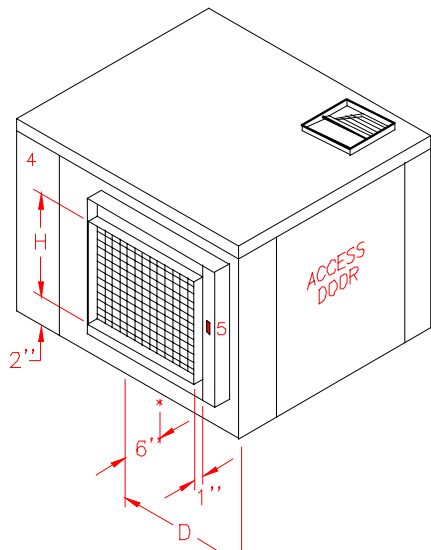
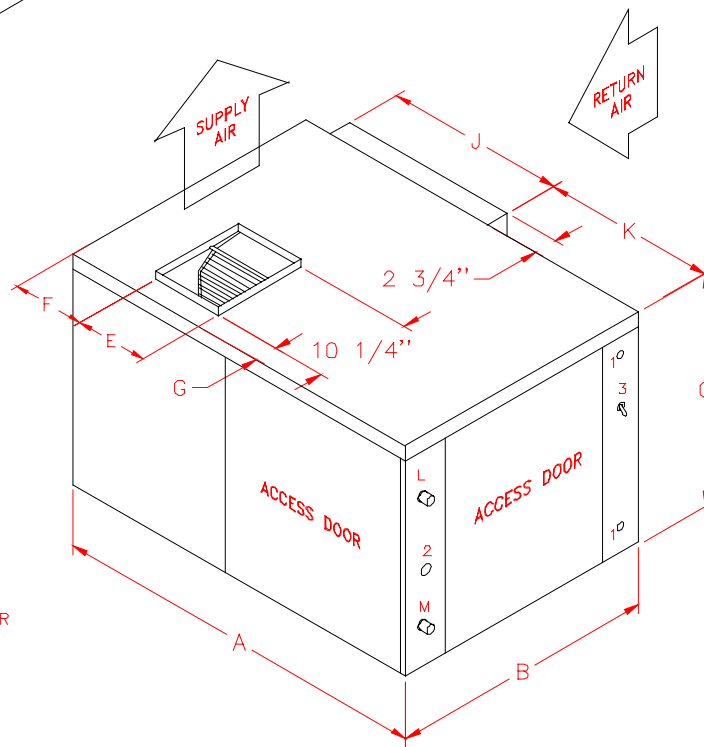


Dimensional Data

MAM Series



*7/8" SINK TYPE BOTTOM DRAIN CONNECTION ALLOW 6" CLEARANCE FOR P-TRAP INSTALLATION



LEGEND:

- 1- POWER CONNECTION
- 2- LIQUID & MOISTURE INDICATOR
- 3- ON/OFF SWITCH
- 4- ELECTRICAL SECTION
- 5- FILTER ACCESS

NOTE: ALL DIMENSIONS IN INCHES.

✓	MODEL	A	B	C	D	E	F	G	H	J	K	AIR COOLED A/C		WATER COOLED A/C		APPROX. WEIGHT
												HOT GAS L	LIQUID M	IN L	OUT M	
	MAM-016	38	27	18	13 1/2	7	4	1	14	23 1/2	12	1/2 O.D.	3/8 O.D.	5/8	5/8	140
	MAM-024	38	27	18	13 1/2	7	4	1	14	23 1/2	12	5/8 O.D.	1/2 O.D.	5/8	5/8	175
	MAM-030	38	27	18	13 1/2	8 1/4	4	1	14	23 1/2	12	5/8 O.D.	1/2 O.D.	5/8	5/8	195
	MAM-036	39	30	22	14	8 1/4	5	1	18	24 1/2	12	5/8 O.D.	1/2 O.D.	3/4	3/4	230
	MAM-042	43	30	22	15 3/4	9 1/8	5	1	18	26 1/2	14	7/8 O.D.	5/8 O.D.	3/4	3/4	240
	MAM-048	43	30	22	15 3/4	9 1/8	5	1	18	26 1/2	14	7/8 O.D.	5/8 O.D.	7/8	7/8	250
	MAM-060	48	36	22	18 1/4	9 1/8	5	1	22	35 1/2	11 1/2	7/8 O.D.	5/8 O.D.	7/8	7/8	320

Top Air Discharge